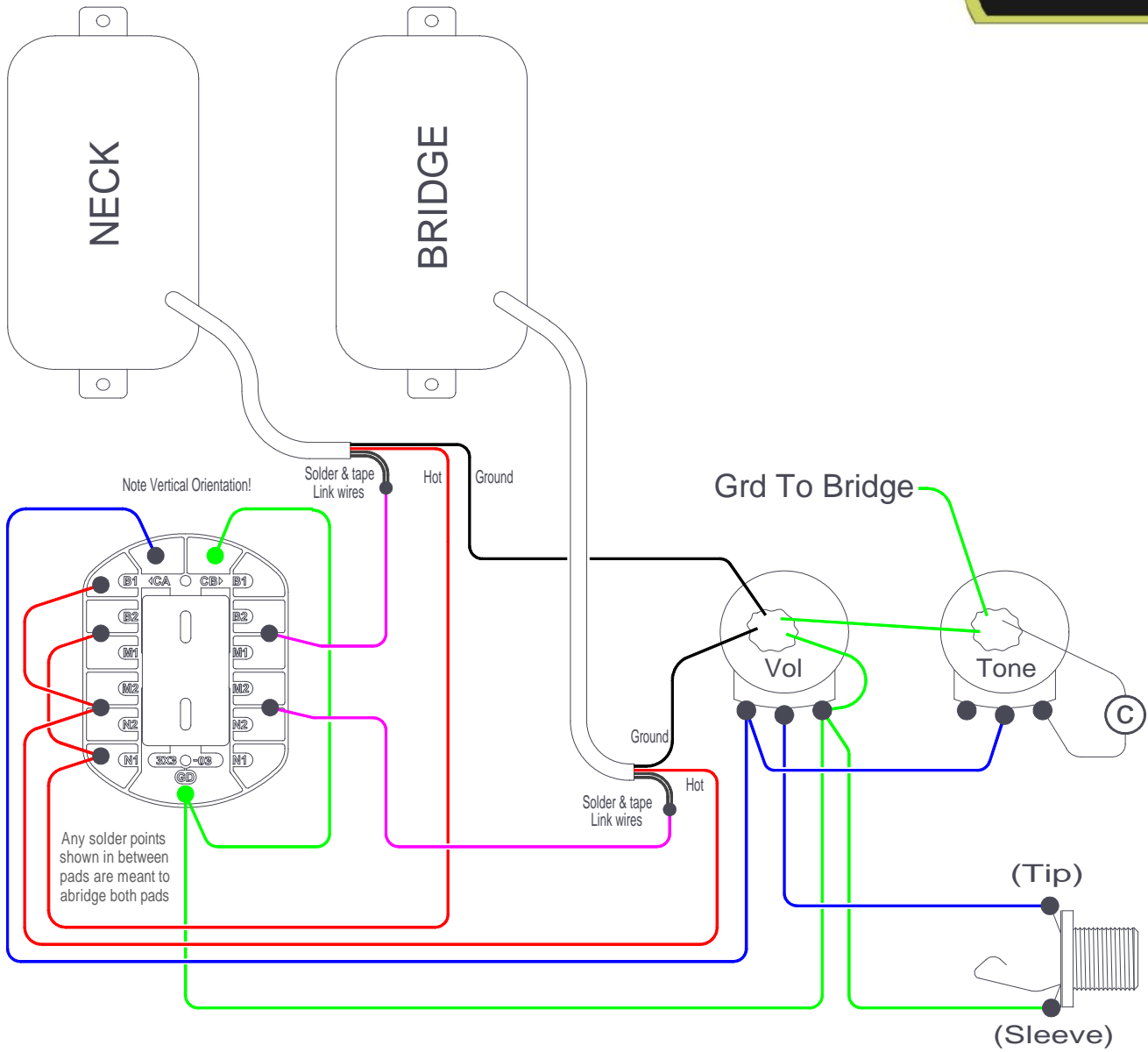


REVERSE VIEW OF PICKUPS, SWITCH AND POTENTIOMETERS.



MANUFACTURED IN ENGLAND BY NSF CONTROLS LTD



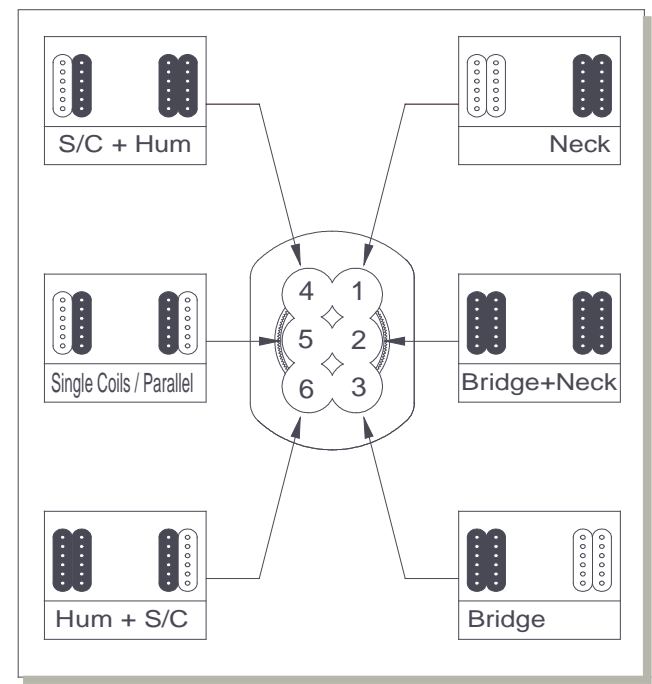
**Notes:-**

Keep all unshielded wires as short as possible - use Shielded cable where longer.

'Link' wires would normally be connected for series humbucker operation (typically these are North & South finish wires).

The pickup colour coding shown in this diagram does not represent any particular pickup manufacturer - please follow designations.

FRONT VIEW OF PICKUPS AND SWITCH



Scheme No 033 : Last Updated Nov 2013